

Post Light

ZP-S101-PC1F-35W

Picture



Description

Type	LED Post Light
Connection	Wire

Electrical Parameters

Gr. Power	35W ±5%
InputVoltage	AC100-277V
Driver	Internal
Dimmable	Not dim.

Lighting Parameters

Beam Angle	Type V
Colors	WW; DL; CW
Lumens	3600
CRI	80Ra

Structure Parameters

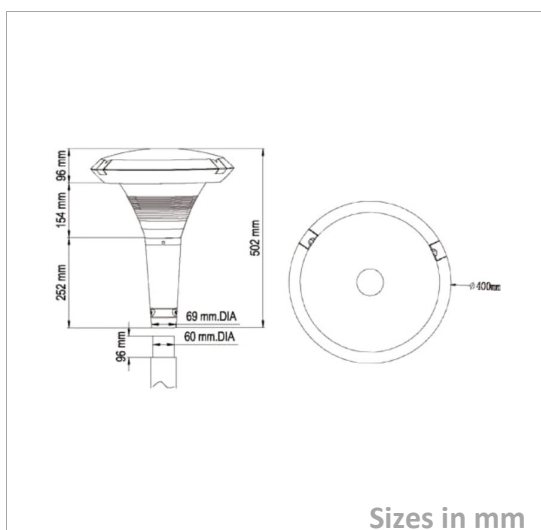
Fixture Color	Black; Grey; Bronze
Cover	Stripped
Dimensions	dia400*502mm (60mm pole)

Protection Parameters

Rating	IP66/IK09/6KV
Electrical Class	Class I
Lifetime	L70>175.000h
Warranty (Years)	5

Options

Dimmable	Triac <input type="checkbox"/> 0-10V <input type="checkbox"/> 1-10V <input checked="" type="checkbox"/> DALI <input checked="" type="checkbox"/>
CRI	>90Ra <input type="checkbox"/> >92Ra <input type="checkbox"/> >95Ra <input type="checkbox"/> >98Ra <input type="checkbox"/>
Other	Optional: 10KA 20KA SPD; Sensor



Sizes in mm

Packing

UnitVolum (CBM)	0,1265616
Unit GW (kg)	10,5
Qty per carton	1