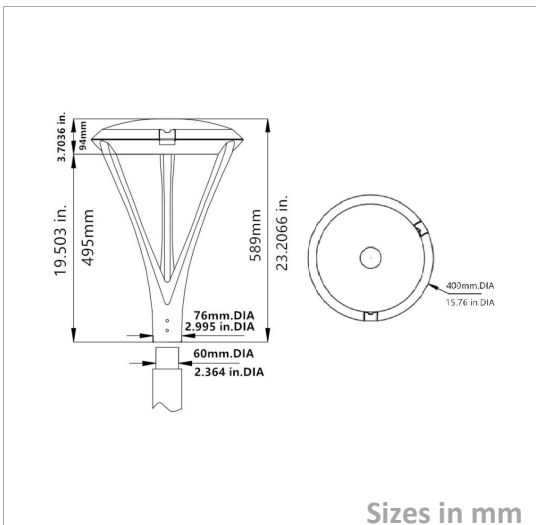


Post Light

ZP-CS101-PG3F-35W

Picture



Packing

Unit Volum (CBM)	0,05292576
Unit GW (kg)	10,5
Qty per carton	1

Description

Type	LED Post Light
Connection	Wire

Electrical Parameters

Gr. Power	35W ±5%
InputVoltage	AC100-277V
Driver	Internal
Dimmable	Not dim.

Lighting Parameters

Beam Angle	Type II/III/IV/V
Colors	WW; DL; CW
Lumens	4300-4500
CRI	80Ra

Structure Parameters

Fixture Color	Black; Grey; Bronze
Cover	Stripped
Dimensions	dia400*589mm (60mm pole)

Protection Parameters

Rating	IP66/IK09
Electrical Class	Class I
Lifetime	L70>175.000h
Warranty (Years)	5

Options

Dimmable	Triac <input type="checkbox"/> 0-10V <input type="checkbox"/> 1-10V <input checked="" type="checkbox"/> DALI <input checked="" type="checkbox"/>
CRI	>90Ra <input type="checkbox"/> >92Ra <input type="checkbox"/> >95Ra <input type="checkbox"/> >98Ra <input type="checkbox"/>
Other	Optional: 10KA 20KA SPD; Sensor