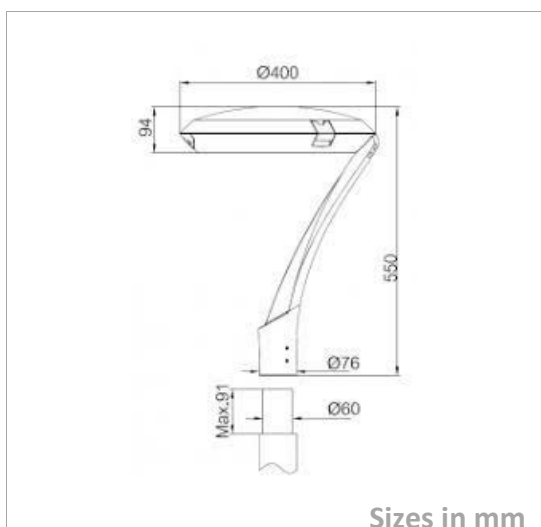


Post Light

ZP-CS101-PG1F-A-36W

Picture



Packing

UnitVolum (CBM)	0,0516375
Unit GW (kg)	10,3
Qty per carton	1

Description

Type	LED Post Light
Connection	Wire

Electrical Parameters

Gr. Power	36W ±5%
InputVoltage	AC100-277V
Driver	Internal
Dimmable	Not dim.

Lighting Parameters

Beam Angle	II/III/IV/V
Colors	WW; DL; CW
Lumens	3900 (T.III) 4600 (T.II)
CRI	70Ra

Structure Parameters

Fixture Color	Black; Grey; Bronze
Cover	Clear
Dimensions	dia400*550mm (60mm pole)

Protection Parameters

Rating	IP66/IK09/6KV
Electrical Class	Class I <input checked="" type="checkbox"/> Class II <input type="checkbox"/> Class III <input type="checkbox"/>
Lifetime	L70>150.000h
Warranty (Years)	5

Options

Dimmable	Triac <input type="checkbox"/> 0-10V <input type="checkbox"/> 1-10V <input checked="" type="checkbox"/> DALI <input checked="" type="checkbox"/>
CRI	>90Ra <input type="checkbox"/> >92Ra <input type="checkbox"/> >95Ra <input type="checkbox"/> >98Ra <input type="checkbox"/>
Other	Optional: MB visual confort version; 10KA 20KA SPD; Sensor