

UFO-HB3-C-240W



Source	LED
Connection	Wire
Gr. Power	240W ±5%
Input Voltage	AC100-240V
Driver	Sosen
Control (standard)	Not dim.
Dimming option	0-10V dim.; DALI
Beam Angle (°)	60/90/120
CCT (Kelvins)	3000°K; 4000°K; 5000°K
Lumens	160 or 200Lm/W
Luminaire efficiency	200Lm/W
CRI (standard)	>70Ra
for option	>80Ra
Fixture Color	Black
Cover	Lens
Dimensions	dia 340x177mm
Protection Rating	IP65/IK08/6kV SP
Electrical Class	Class I
Lifetime	>50.000h
Warranty	5 Years

Other

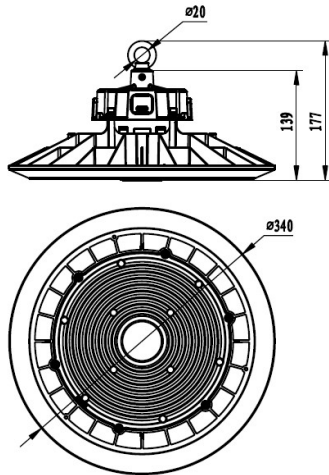
in option: Selectable power: 240/190/145W; CRI80 in 160Lm/W; 90° Alum. Or PC Reflector; adjust. Bracket; Bluetooth, PIR or MW Sensor for 0-10V version

Standard Packing Details

Unit Volum (CBM)	0,02124
Unit GW (kg)	3,2
Qty per carton	1

UFO-HB3-C-240W

Sizes drawing

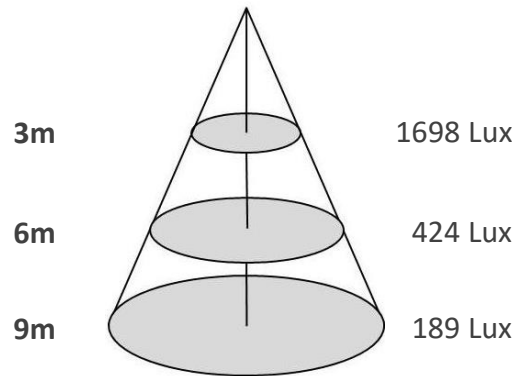


UFO-HB3-C-240W.drw

in mm

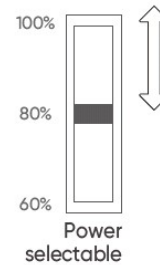
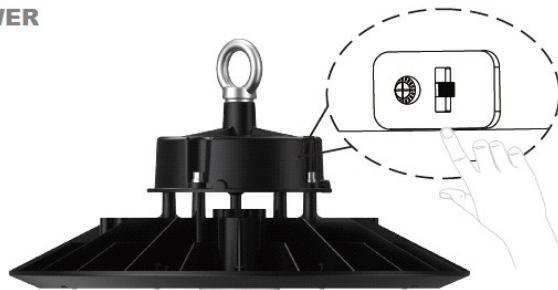
Illumination Diagram

48000Lm with 90° beam



UFO-HB3-C-240W.lux

SELECTABLE POWER



ACCESSORIES



PC reflectors
90° PC reflector with lid



Aluminum Reflector
90° AL reflector



Safety chain
201 stainless steel,
available for 0.5m long.



Microwave motion sensor
12Vdc input, IP65 rating,
max detect height is 15m.



PIR sensor
12Vdc input, IP65 rating,
max detect height is 15m.



CASAMBI ready wireless module



±30° adjustable bracket
SPCC materials with outdoor powder coating.



±45deg adjustable bracket
SPCC materials with outdoor powder coating.



Remote controller
For
ANT-5-4T
ANT-6-4T