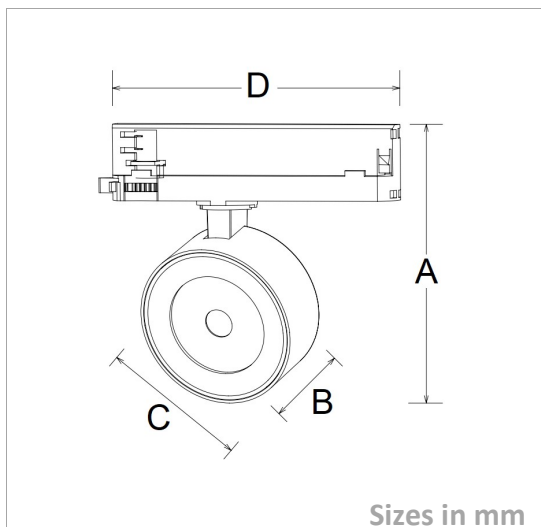


## Track Light

### TRACK-O-P-18W

#### Picture



#### Packing

|                  |            |
|------------------|------------|
| Unit Volum (CBM) | 0,00434112 |
| Unit GW (kg)     | 0,61       |
| Qty per carton   | 12         |

#### Description

|            |                 |
|------------|-----------------|
| Type       | LED Track Light |
| Connection | 4 wires         |

#### Electrical Parameters

|               |              |
|---------------|--------------|
| Gr. Power     | 18W $\pm$ 5% |
| Input Voltage | AC220-240V   |
| Driver        | Internal     |
| Dimmable      | Not dim.     |

#### Lighting Parameters

|            |                                |
|------------|--------------------------------|
| Beam Angle | 24/30/36/60                    |
| Colors     | 2700°K; 3000°K; 4000°K; 5000°K |
| Lumens     | 1700-2150                      |
| CRI        | 80Ra                           |

#### Structure Parameters

|               |                     |
|---------------|---------------------|
| Fixture Color | White; Black        |
| Cover         | PMMA                |
| Dimensions    | A146*B43*C90*D196mm |

#### Protection Parameters

|                  |                  |
|------------------|------------------|
| Rating           | IP20/IK06/650°GW |
| Electrical Class | Class II         |
| Lifetime         | >50.000h         |
| Warranty (Years) | 3                |

#### Options

|          |   |
|----------|---|
| Dimmable | Triac <input type="checkbox"/> 0-10V <input type="checkbox"/> 1-10V <input type="checkbox"/> DALI <input checked="" type="checkbox"/>             |
| CRI      | >90Ra <input checked="" type="checkbox"/> >92Ra <input type="checkbox"/> >95Ra <input checked="" type="checkbox"/> >98Ra <input type="checkbox"/> |
| Other    | Replaceable front ring option: Black / White / Gold / Silver  |