

Track Light

TRACK-MINI-P-12W

Picture



Description

Type	LED Track Light
Connection	4 wires

Electrical Parameters

Gr. Power	12W ±5%
InputVoltage	AC220-240V
Driver	Internal
Dimmable	Not dim.

Lighting Parameters

Beam Angle	36
Colors	2700°K; 3000°K; 4000°K; 5000°K
Lumens	800-880
CRI	80Ra

Structure Parameters

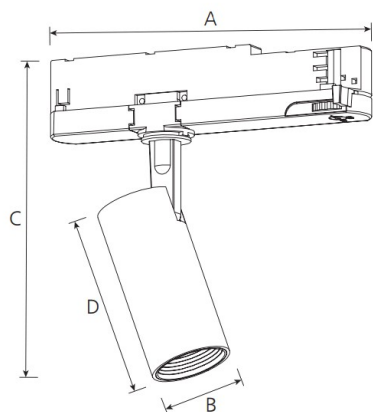
Fixture Color	White; Black
Cover	Clear
Dimensions	A196*B46*C200*D120mm

Protection Parameters

Rating	IP20
Electrical Class	Class II
Lifetime	>50.000h
Warranty (Years)	3

Options

Dimmable	Triac <input type="checkbox"/>	0-10V <input type="checkbox"/>	1-10V <input type="checkbox"/>	DALI <input type="checkbox"/>
CRI	>90Ra <input type="checkbox"/>	>92Ra <input type="checkbox"/>	>95Ra <input type="checkbox"/>	>98Ra <input type="checkbox"/>
Other				



Sizes in mm

Packing

UnitVolum (CBM)	0,0038352
Unit GW (kg)	0,41
Qty per carton	30