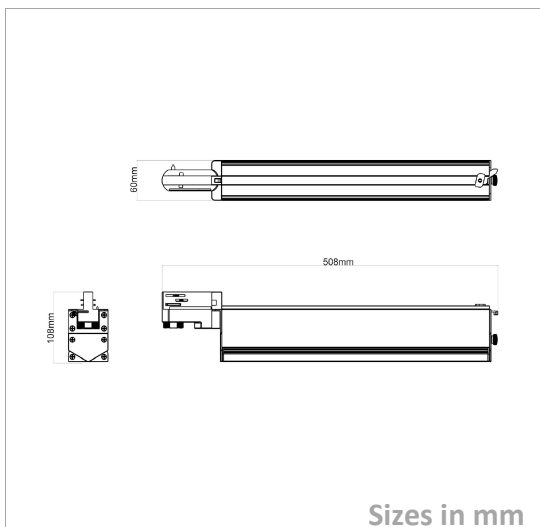


Track Light

TRACK-LINEAR-P-55W

Picture



Packing

UnitVolum (CBM)	0,005712
Unit GW (kg)	2,7
Qty per carton	10

Description

Type	LED Track Light
Connection	4 wires

Electrical Parameters

Gr. Power	55W ±5%
InputVoltage	AC200-240V
Driver	Philips
Dimmable	Not dim.

Lighting Parameters

Beam Angle	60°/90°/30°/60°
Colors	3000°K; 4000°K; 5000°K
Lumens	7150
CRI	80Ra

Structure Parameters

Fixture Color	White; Black
Cover	Clear
Dimensions	508*60*108mm

Protection Parameters

Rating	IP20/IK08
Electrical Class	Class I <input checked="" type="checkbox"/> Class II <input type="checkbox"/> Class III <input type="checkbox"/>
Lifetime	LM80
Warranty (Years)	5

Options

Dimmable	Triac <input type="checkbox"/> 0-10V <input type="checkbox"/> 1-10V <input checked="" type="checkbox"/> DALI <input type="checkbox"/>
CRI	>90Ra <input type="checkbox"/> >92Ra <input type="checkbox"/> >95Ra <input type="checkbox"/> >98Ra <input type="checkbox"/>
Other	Optional Motion or Daylight sensor; available in rotatable version