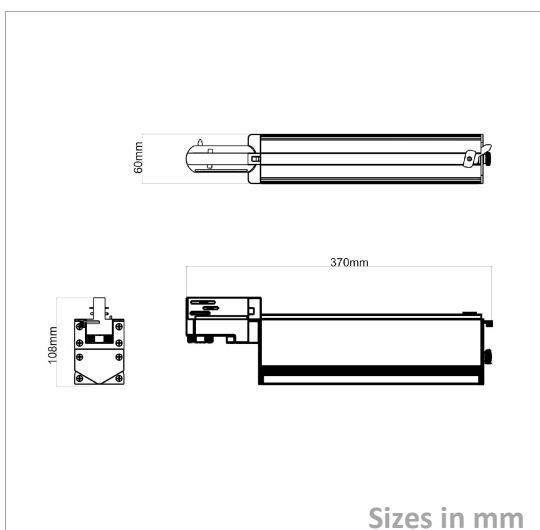


## Track Light

### TRACK-LINEAR-P-27W

#### Picture



#### Packing

UnitVolum (CBM)	0,00408
Unit GW (kg)	2
Qty per carton	10

#### Description

Type	LED Track Light
Connection	4 wires

#### Electrical Parameters

Gr. Power	27W ±5%
InputVoltage	AC200-240V
Driver	Philips
Dimmable	Not dim.

#### Lighting Parameters

Beam Angle	60*90/30*60
Colors	3000°K; 4000°K; 5000°K
Lumens	3510
CRI	80Ra

#### Structure Parameters

Fixture Color	White; Black
Cover	Clear
Dimensions	370*60*108mm

#### Protection Parameters

Rating	IP20/IK08
Electrical Class	Class I <input checked="" type="checkbox"/> Class II <input type="checkbox"/> Class III <input type="checkbox"/>
Lifetime	LM80
Warranty (Years)	5

#### Options

Dimmable	Triac <input type="checkbox"/> 0-10V <input type="checkbox"/> 1-10V <input checked="" type="checkbox"/> DALI <input type="checkbox"/>
CRI	>90Ra <input type="checkbox"/> >92Ra <input type="checkbox"/> >95Ra <input type="checkbox"/> >98Ra <input type="checkbox"/>
Other	Optional Motion or Daylight sensor; available in rotatable version