

Magnetic Track Light

TRACK-CX20-LFGL330-18W



Source	LED Osram
Connection	M20 Magnetic
Gr. Power	18W ±5%
Input Voltage	DC48V
Driver	Not Included
Control (standard)	Not dim.
Dimming option	1-10V dim; DALI
Beam Angle (°)	24/36
CCT (Kelvins)	2700°K; 3000°K; 4000°K; 6500°K; CCT adjust.
Lumens	1500
Luminaire efficiency	83 Lm/W
CRI (standard)	>80Ra
for option	>90Ra
Fixture Color	White; Black
Cover	Louver
Dimensions	L328*W22*H95mm
Protection Rating	Indoor Use
Electrical Class	Class II
Lifetime	>50.000h
Warranty	3 Years
Other	For option: Adjustable CCT 2700-6500K

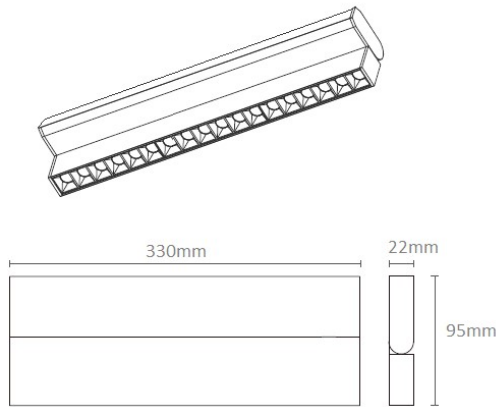
Standard Packing Details

Unit Volum (CBM)	0,00080
Unit GW (kg)	0,36
Qty per carton	30

Magnetic Track Light

TRACK-CX20-LFGL330-18W

Sizes drawing

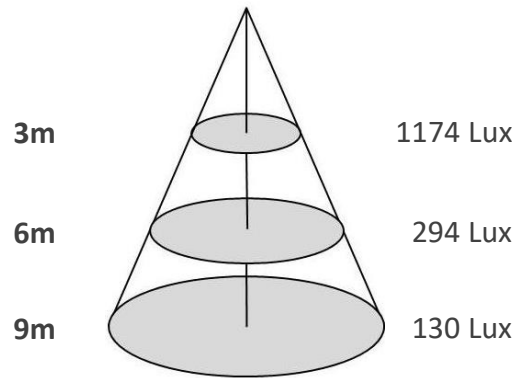


TRACK-CX20-LFGL330-18W.drw

in mm

Illumination Diagram

1500Lm with 24° beam



TRACK-CX20-LFGL330-18W.lux

