

Flood light

PROJ-FL74-P-400W



| | |
|-----------------------------|------------------------|
| Source | LED |
| Connection | Wire |
| Gr. Power | 400W ±5% |
| Input Voltage | AC100-240V |
| Driver | Sosen |
| Control (standard) | Not dim. |
| Dimming option | |
| Beam Angle (°) | 100*120/90*60 tilt 38 |
| CCT (Kelvins) | 3000°K; 4000°K; 5000°K |
| Lumens | 72000 |
| Luminaire efficiency | 180Lm/W |
| CRI (standard) | >70Ra |
| for option | >80Ra |
| Fixture Color | Grey |
| Cover | Clear |
| Dimensions | 604*442*65 |
| Protection Rating | IP66/IK08/10KV SP |
| Electrical Class | Class I |
| Lifetime | L80-87500 L70-138000 |
| Warranty | 5 Years |

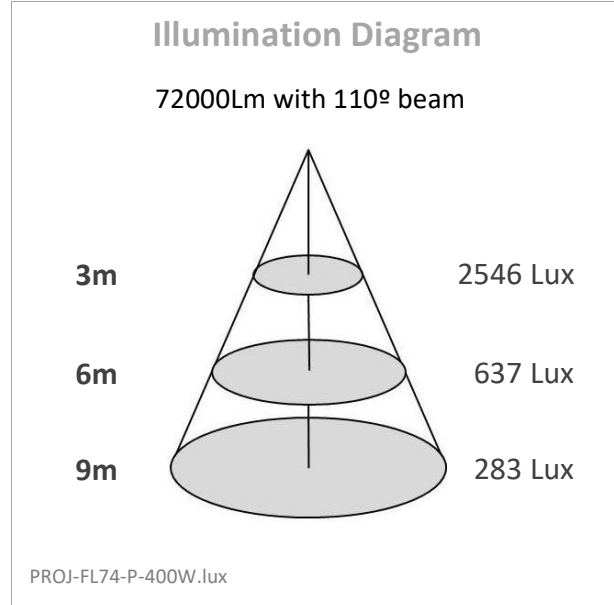
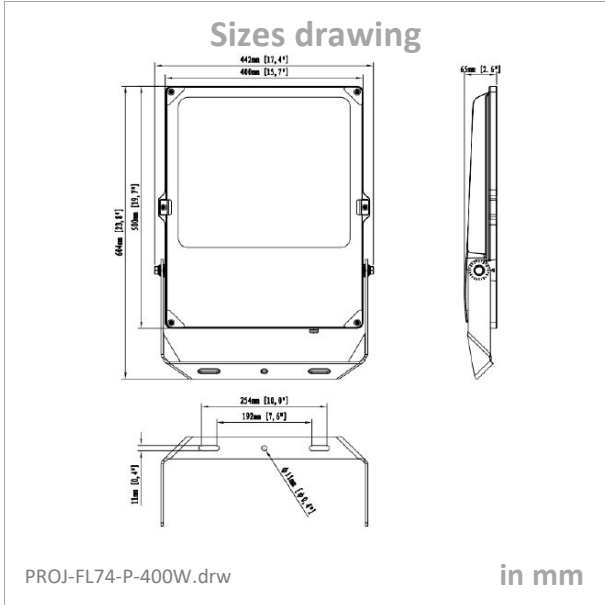
Other
Option: Pole mounting bracket; Photocell control

Standard Packing Details

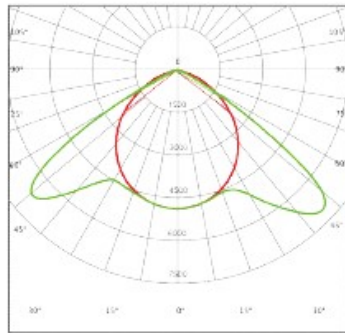
| | |
|-------------------------|---------|
| Unit Volum (CBM) | 0,03020 |
| Unit GW (kg) | 9,8 |
| Qty per carton | 1 |

Flood light

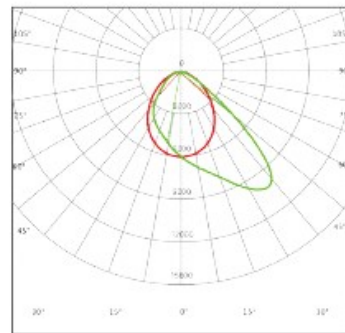
PROJ-FL74-P-400W



Photometry



100X120°



90x60° tilt38°

Mounting Options



Bracket mounting



Pole mounting