

Flood light

PROJ-FL08-P-40W Sosen

Picture



Description

Type	LED Flood light
Connection	Wire

Electrical Parameters

Gr. Power	40W ±5%
InputVoltage	AC100-240V
Driver	Sosen
Dimmable	Not dim.

Lighting Parameters

Beam Angle	15/30/60/30*60/65*120
Colors	3000°K; 4000°K; 5000°K
Lumens	4800
CRI	80Ra

Structure Parameters

Fixture Color	Black; Grey
Cover	Clear
Dimensions	359*308*82mm

Protection Parameters

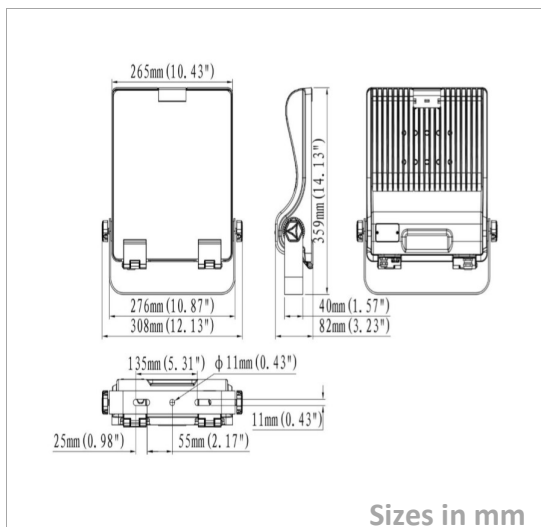
Rating	IP66/IK08/12KV SPD
Electrical Class	Class I <input checked="" type="checkbox"/> Class II <input type="checkbox"/> Class III <input type="checkbox"/>
Lifetime	>50.000h
Warranty (Years)	5

Options

Dimmable	Triac <input type="checkbox"/> 0-10V <input type="checkbox"/> 1-10V <input type="checkbox"/> DALI <input type="checkbox"/>
CRI	>90Ra <input type="checkbox"/> >92Ra <input type="checkbox"/> >95Ra <input type="checkbox"/> >98Ra <input type="checkbox"/>

Other Option: Grey housing; Pole mounting bracket; Exist in high brightness version 135Lm/W with MeanWell driver + Nichia LED

Additional informations: Operating Temp. -30 to +45°C



Packing

UnitVolum (CBM)	0,02052648
Unit GW (kg)	4,6
Qty per carton	1