

Flood light

PROJ-FL08-P-180W MW

Picture



Description

Type	LED Flood light
Connection	Wire

Electrical Parameters

Gr. Power	180W ±5%
InputVoltage	AC100-240V
Driver	Meanwell
Dimmable	Not dim.

Lighting Parameters

Beam Angle	15/30/60/30*60/65*120
Colors	3000°K; 4000°K; 5000°K
Lumens	24300
CRI	80Ra

Structure Parameters

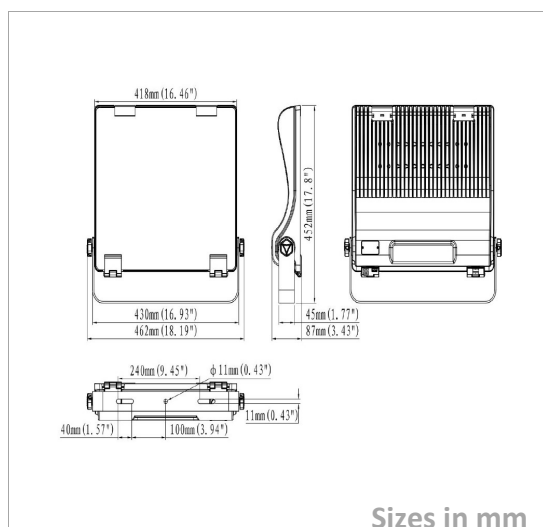
Fixture Color	Black; Grey
Cover	Clear
Dimensions	462*452*87mm

Protection Parameters

Rating	IP66/IK08/10KV SPD
Electrical Class	Class I <input checked="" type="checkbox"/> Class II <input type="checkbox"/> Class III <input type="checkbox"/>
Lifetime	>50.000h
Warranty (Years)	5

Options

Dimmable	Triac <input type="checkbox"/> 0-10V <input type="checkbox"/> 1-10V <input type="checkbox"/> DALI <input checked="" type="checkbox"/>
CRI	>90Ra <input type="checkbox"/> >92Ra <input type="checkbox"/> >95Ra <input type="checkbox"/> >98Ra <input type="checkbox"/>
Other	Option: Grey housing; Pole mounting bracket; Exist in economical version 120Lm/W with Sosen driver + SMD3030



Packing

UnitVolum (CBM)	0,04582656
Unit GW (kg)	9,9
Qty per carton	1