

## Flood light

### PROJ-FK-P-50W



<b>Source</b>	LED
<b>Connection</b>	Wire
<b>Gr. Power</b>	50W ±5%
<b>Input Voltage</b>	AC100-277V
<b>Driver</b>	Internal
<b>Control (standard)</b>	Not dim.
<b>Dimming option</b>	1-10V dim; DALI
<b>Beam Angle (°)</b>	30/60/90/120/T2M/T3M
<b>CCT (Kelvins)</b>	3000°K; 4000°K; 6500°K
<b>Lumens</b>	7500
<b>Luminaire efficiency</b>	150Lm/W
<b>CRI (standard)</b>	>80Ra
<b>for option</b>	
<b>Fixture Color</b>	Black; Silver; Grey
<b>Cover</b>	Clear
<b>Dimensions</b>	283*220*52mm
<b>Protection Rating</b>	IP66/IK08
<b>Electrical Class</b>	Class I
<b>Lifetime</b>	>50.000h
<b>Warranty</b>	2 Years

#### Standard Packing Details

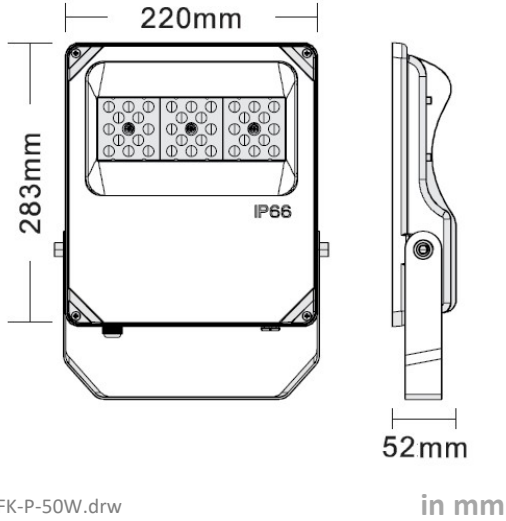
<b>Unit Volum (CBM)</b>	0,00491
<b>Unit GW (kg)</b>	2,6
<b>Qty per carton</b>	10

**Other**  
Die Cast Alum. Body; Option: Marine corrosion coating

## Flood light

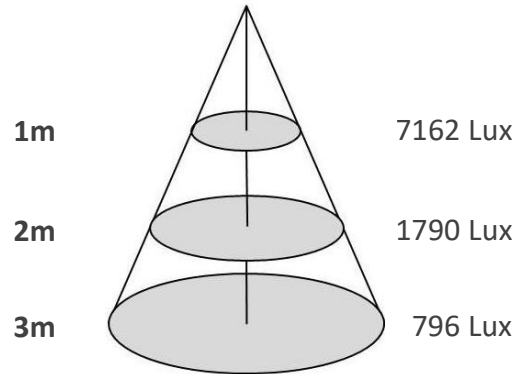
### PROJ-FK-P-50W

#### Sizes drawing



#### Illumination Diagram

7500Lm with 60° beam



PROJ-FK-P-50W.lux

