

Flood light

PROJ-FK-P-30W



Source	LED
Connection	Wire
Gr. Power	30W ±5%
Input Voltage	AC100-277V
Driver	Internal
Control (standard)	Not dim.
Dimming option	1-10V dim; DALI
Beam Angle (°)	30/60/90/120/T2M/T3M
CCT (Kelvins)	3000°K; 4000°K; 6500°K
Lumens	4500
Luminaire efficiency	150Lm/W
CRI (standard)	>80Ra
for option	
Fixture Color	Black; Silver; Grey
Cover	Clear
Dimensions	241*169*51mm
Protection Rating	IP66/IK08
Electrical Class	Class I
Lifetime	>50.000h
Warranty	3 Years

Other Die casting aluminium body
Option: Marine corrosion coating

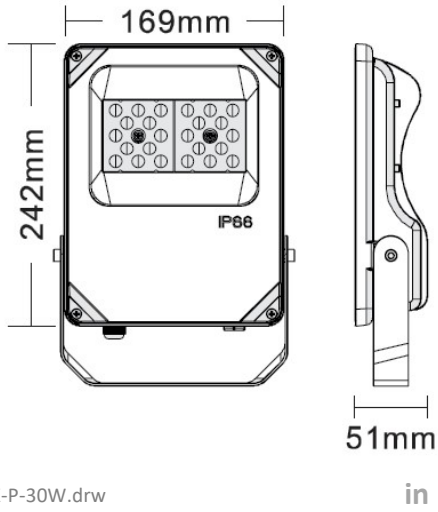
Standard Packing Details

Unit Volum (CBM)	0,00320
Unit GW (kg)	1,8
Qty per carton	20

Flood light

PROJ-FK-P-30W

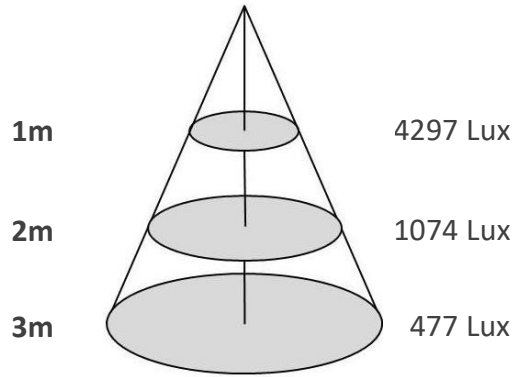
Sizes drawing



PROJ-FK-P-30W.drw

Illumination Diagram

4500Lm with 60° beam



PROJ-FK-P-30W.lux

