

Inground Light

PARK116-P-9W 220V

Picture



Description

Type LED Inground Light
Connection Wire

Electrical Parameters

Gr. Power 9W ±5%
InputVoltage AC220-240V; AC110V
Driver Internal
Dimmable Not dim.

Lighting Parameters

Beam Angle 1; 2; or 4 ways
Colors WW; DL; CW; Red; Green; Blue; Y
Lumens 75
CRI 80Ra

Structure Parameters

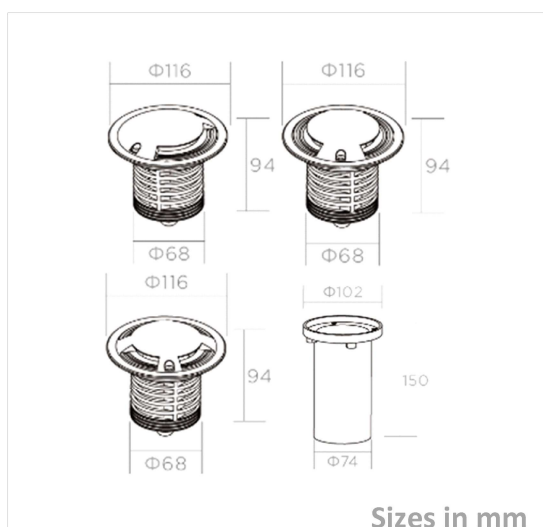
Fixture Color SS316
Cover Clear
Dimensions dia116(68)*94mm

Protection Parameters

Rating IP67 - IK08
Electrical Class Class I Class II Class III
Lifetime
Warranty (Years) 3

Options

Dimmable Triac 0-10V 1-10V DALI
CRI >90Ra >92Ra >95Ra >98Ra
Other



Packing

UnitVolum (CBM) 0,00361998
Unit GW (kg) 1,28
Qty per carton 18