

## Inground Light

### PARK116-P-6W

#### Picture



#### Description

Type	LED Inground Light
Connection	Wire

#### Electrical Parameters

Gr. Power	6W ±5%
InputVoltage	DC24V
Driver	Not Included
Dimmable	Not dim.

#### Lighting Parameters

Beam Angle	1; 2; or 4 ways
Colors	WW; DL; CW; Red; Green; Blue; Y
Lumens	50
CRI	80Ra

#### Structure Parameters

Fixture Color	SS316
Cover	Clear
Dimensions	dia116(68)*94mm

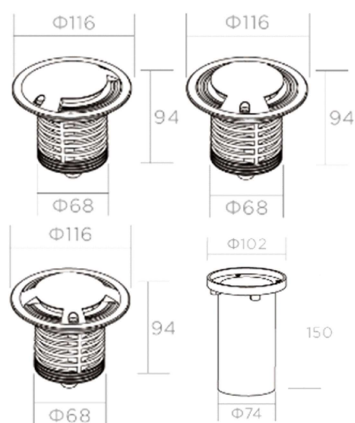
#### Protection Parameters

Rating	IP67 - IK08
Electrical Class	Class I <input type="checkbox"/> Class II <input checked="" type="checkbox"/> Class III <input type="checkbox"/>
Lifetime	>50.000h
Warranty (Years)	3

#### Options

Dimmable*	Triac <input checked="" type="checkbox"/> 0-10V <input checked="" type="checkbox"/> 1-10V <input checked="" type="checkbox"/> DALI <input checked="" type="checkbox"/>
CRI	>90Ra <input type="checkbox"/> >92Ra <input type="checkbox"/> >95Ra <input type="checkbox"/> >98Ra <input type="checkbox"/>
Other	Option: IK10; AC240V; RGB; RGBW; High Lumens (200Lm)

\* Can work with different kind of dimmable drivers (not included)



Sizes in mm

#### Packing

UnitVolum (CBM)	0,00361998
Unit GW (kg)	1,28
Qty per carton	18