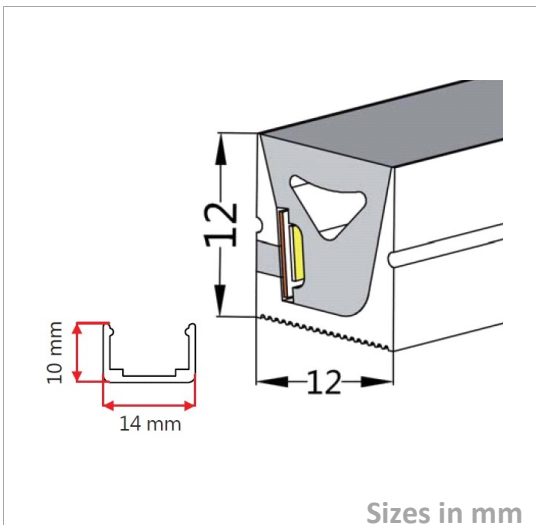


Neon Flex Strip

NEON-FLEX-S1212-120-14W /m

Picture



Packing

UnitVolum (CBM)	0,00091392
Unit GW (kg)	0,19
Qty per carton	50

Description

Type	LED Neon Flex Strip
Connection	Wire

Electrical Parameters

Gr. Power	14,4W \pm 5%
InputVoltage	DC24V
Driver	Not Included
Dimmable	Dimmable

Lighting Parameters

Beam Angle	120
Colors	WWY; WW; DL; CW; Red; Green;
Lumens	2400-2600
CRI	80Ra

Structure Parameters

Fixture Color	White
Cover	Milky
Dimensions	12*12mm (up to 5m roll)

Protection Parameters

Rating	IP67
Electrical Class	Class III
Lifetime	>50.000h
Warranty (Years)	2

Options

Dimmable	Triac <input type="checkbox"/> 0-10V <input type="checkbox"/> 1-10V <input type="checkbox"/> DALI <input type="checkbox"/>
CRI	>90Ra <input type="checkbox"/> >92Ra <input type="checkbox"/> >95Ra <input type="checkbox"/> >98Ra <input type="checkbox"/>
Other	Accessories in option: Right/Left/Bottom Wiring; End-cap; Clip; Profil; Flex. Profil