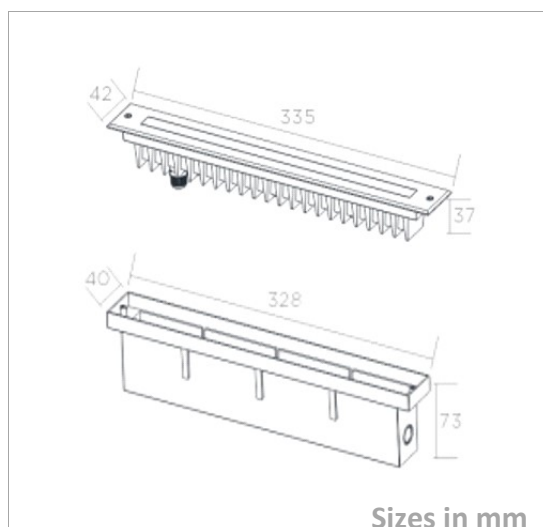


## Inground Light

### MAREN335.42-P-10W

#### Picture



#### Packing

Unit Volum (CBM)	0,00332112
Unit GW (kg)	1,6
Qty per carton	10

#### Description

Type	LED Inground Light
Connection	Wire

#### Electrical Parameters

Gr. Power	10W ±5%
Input Voltage	DC24V
Driver	Not Included
Dimmable	Not dim.

#### Lighting Parameters

Beam Angle	10/15/25/30/45/60/90/110°
Colors	WWY; WW; DL; CW
Lumens	800
CRI	80Ra

#### Structure Parameters

Fixture Color	SS316
Cover	Clear; Frosted
Dimensions	335*42*52(328*40*73)mm

#### Protection Parameters

Rating	IP67/IK10
Electrical Class	Class I <input checked="" type="checkbox"/> Class II <input type="checkbox"/> Class III <input type="checkbox"/>
Lifetime	>50.000h
Warranty (Years)	3

#### Options

Dimmable	Triac <input type="checkbox"/> 0-10V <input type="checkbox"/> 1-10V <input type="checkbox"/> DALI <input type="checkbox"/>
CRI	>90Ra <input type="checkbox"/> >92Ra <input type="checkbox"/> >95Ra <input type="checkbox"/> >98Ra <input type="checkbox"/>
Other	