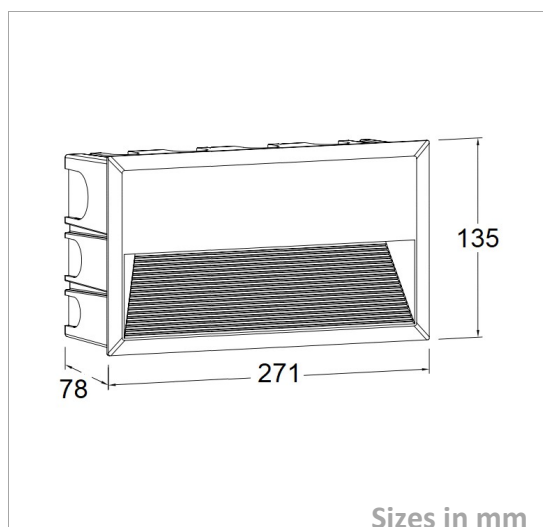


Wall Recessed Light

MAREN271.135-P-10W

Picture



Packing

| | |
|-----------------|-------------|
| UnitVolum (CBM) | 0,008562645 |
| Unit GW (kg) | 1,075 |
| Qty per carton | 12 |

Description

| | |
|------------|-------------------------|
| Type | LED Wall Recessed Light |
| Connection | Wire |

Electrical Parameters

| | |
|--------------|------------|
| Gr. Power | 10W ±5% |
| InputVoltage | AC200-240V |
| Driver | Internal |
| Dimmable | Not dim. |

Lighting Parameters

| | |
|------------|--------------------------------|
| Beam Angle | 70 |
| Colors | 3000°K; 4000°K; 5000°K; 5700°K |
| Lumens | 350-500 |
| CRI | 80Ra |

Structure Parameters

| | |
|---------------|--------------|
| Fixture Color | Black |
| Cover | Clear |
| Dimensions | 271*135*78mm |

Protection Parameters

| | |
|------------------|------------------------------------------------------------------------------------------------------------------|
| Rating | IP65/IK08/850°C GW |
| Electrical Class | Class I <input checked="" type="checkbox"/> Class II <input type="checkbox"/> Class III <input type="checkbox"/> |
| Lifetime | >50.000h |
| Warranty (Years) | 3 |

Options

| | |
|----------|-----------------------------------------------------------------------------------------------------------------------------|
| Dimmable | Triac <input type="checkbox"/> 0-10V <input type="checkbox"/> 1-10V <input type="checkbox"/> DALI <input type="checkbox"/> |
| CRI | >90Ra <input type="checkbox"/> >92Ra <input type="checkbox"/> >95Ra <input type="checkbox"/> >98Ra <input type="checkbox"/> |
| Other | |