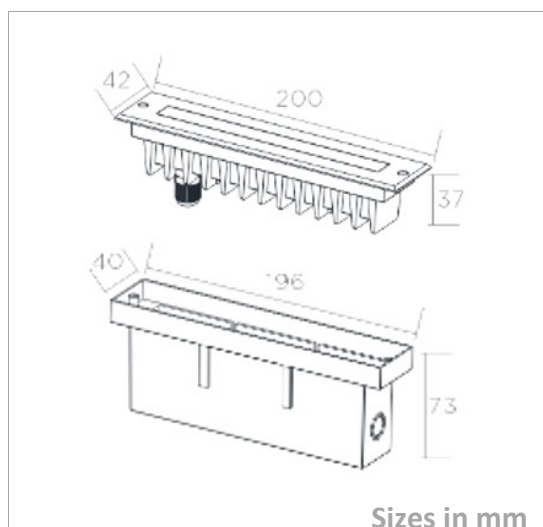


Inground Light

MAREN200.42-P-5W

Picture



Packing

Unit Volum (CBM)	0,00249084
Unit GW (kg)	1
Qty per carton	30

Description

Type	LED Inground Light
Connection	Wire

Electrical Parameters

Gr. Power	5W ±5%
InputVoltage	DC24V
Driver	Not Included
Dimmable	Not dim.

Lighting Parameters

Beam Angle	10/15/25/30/45/60/90/110°
Colors	WWY; WW; DL; CW
Lumens	400
CRI	80Ra

Structure Parameters

Fixture Color	SS316
Cover	Clear; Frosted
Dimensions	200*42*52(196*40*73)mm

Protection Parameters

Rating	IP67/IK10
Electrical Class	Class I <input checked="" type="checkbox"/> Class II <input type="checkbox"/> Class III <input type="checkbox"/>
Lifetime	>50.000h
Warranty (Years)	3

Options

Dimmable	Triac <input type="checkbox"/> 0-10V <input type="checkbox"/> 1-10V <input type="checkbox"/> DALI <input type="checkbox"/>
CRI	>90Ra <input type="checkbox"/> >92Ra <input type="checkbox"/> >95Ra <input type="checkbox"/> >98Ra <input type="checkbox"/>
Other	