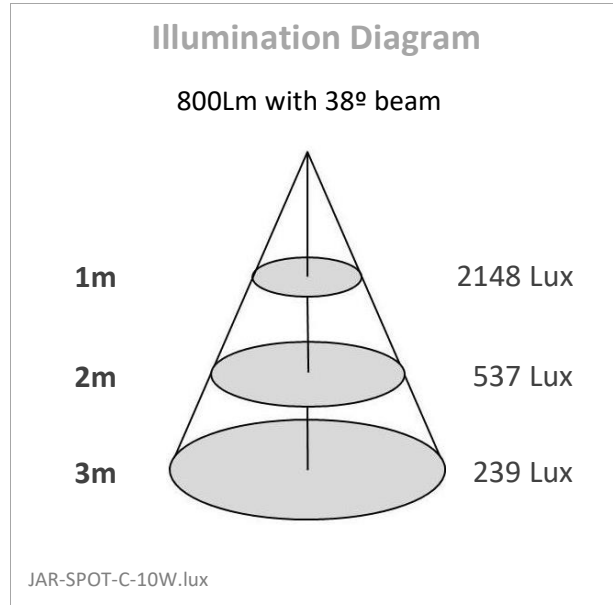
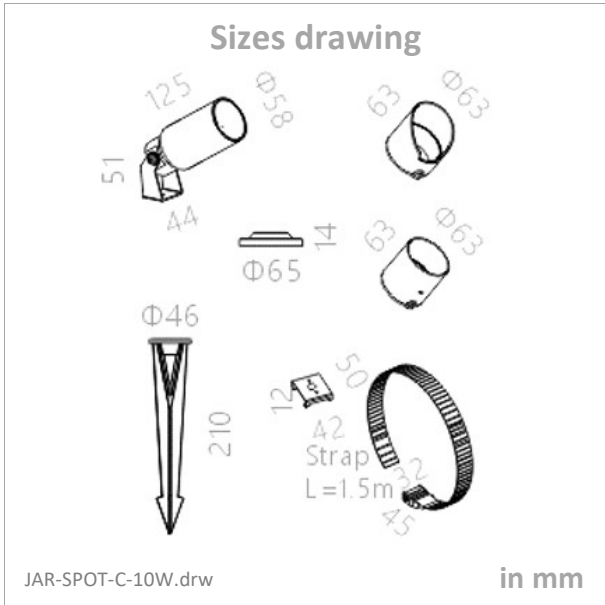


JAR-SPOT-C-10W



JAR-SPOT-C-10W (DC24V)



Source	LED
Connection	Wire
Gr. Power	10W ±5%
Input Voltage	DC24V
Driver	Not Included
Control (standard)	Not dim.
Dimming option	
Beam Angle (°)	15/24/38/60/15*60
CCT (Kelvins)	WW; DL; CW
Lumens	800
Luminaire efficiency	80 Lm/W
CRI (standard)	>80Ra
for option	
Fixture Color	Black; Silver
Cover	Clear
Dimensions	dia 58*L125*H51mm
Protection Rating	IP65/IK02
Electrical Class	Class III
Lifetime	>50.000h
Warranty	3 Years

Standard Packing Details

Unit Volum (CBM)	0,00287
Unit GW (kg)	0,75
Qty per carton	8

Other
optional: RGB; RGBW; AC240V (single color); Spic; Base; Cap