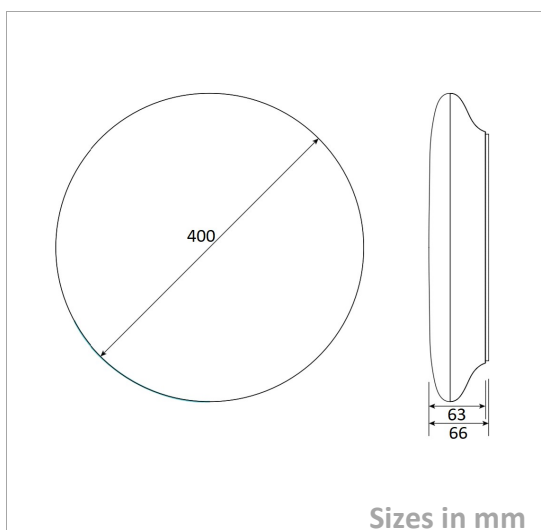


Ceiling Lamp

IGLOO400-30W

Picture



Packing

UnitVolum (CBM)	0,01673055
Unit GW (kg)	2,1
Qty per carton	10

Description

Type	LED Ceiling Lamp
Connection	Wire

Electrical Parameters

Gr. Power	30W ±5%
InputVoltage	AC100-240V
Driver	Internal
Dimmable	Not dim.

Lighting Parameters

Beam Angle	120
Colors	3000°K; 4000°K; 5000°K; 5700°K
Lumens	2830-3020
CRI	80Ra

Structure Parameters

Fixture Color	White; Black; Silver
Cover	Milky
Dimensions	dia400*66mm

Protection Parameters

Rating	IP54/IK10
Electrical Class	Class II
Lifetime	>50.000h
Warranty (Years)	3

Options

Dimmable	Triac <input type="checkbox"/> 0-10V <input type="checkbox"/> 1-10V <input type="checkbox"/> DALI <input type="checkbox"/>
CRI	>90Ra <input type="checkbox"/> >92Ra <input type="checkbox"/> >95Ra <input type="checkbox"/> >98Ra <input type="checkbox"/>
Other	For option: Motion Sensor, Daylight Sensor, CCT switch, Emergency