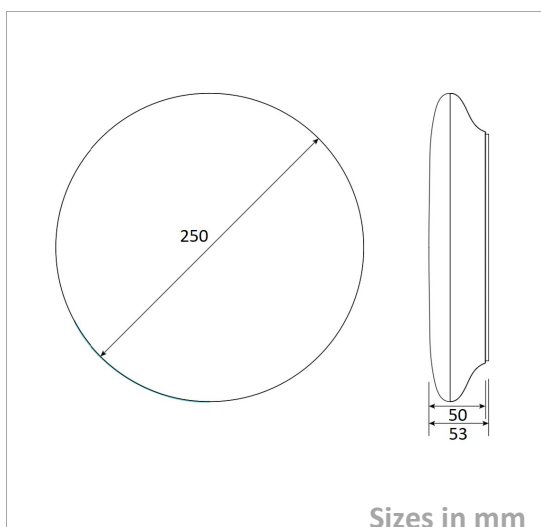


Ceiling Lamp

IGLOO250-12W

Picture



Packing

| | |
|------------------|------------|
| Unit Volum (CBM) | 0,00582624 |
| Unit GW (kg) | 0,8 |
| Qty per carton | 20 |

Description

| | |
|------------|------------------|
| Type | LED Ceiling Lamp |
| Connection | Wire |

Electrical Parameters

| | |
|--------------|------------|
| Gr. Power | 12W ±5% |
| InputVoltage | AC100-240V |
| Driver | Internal |
| Dimmable | Not dim. |

Lighting Parameters

| | |
|------------|--------------------------------|
| Beam Angle | 120 |
| Colors | 3000°K; 4000°K; 5000°K; 5700°K |
| Lumens | 1150-1200 |
| CRI | 80Ra |

Structure Parameters

| | |
|---------------|----------------------|
| Fixture Color | White; Black; Silver |
| Cover | Milky |
| Dimensions | dia250*53mm |

Protection Parameters

| | |
|------------------|-----------|
| Rating | IP54/IK10 |
| Electrical Class | Class II |
| Lifetime | >50.000h |
| Warranty (Years) | 3 |

Options

| | |
|----------|---|
| Dimmable | Triac <input type="checkbox"/> 0-10V <input type="checkbox"/> 1-10V <input type="checkbox"/> DALI <input type="checkbox"/> |
| CRI | >90Ra <input type="checkbox"/> >92Ra <input type="checkbox"/> >95Ra <input type="checkbox"/> >98Ra <input type="checkbox"/> |
| Other | For option: Motion Sensor, Daylight Sensor, CCT switch, Emergency |