

DWR62-DR3-P-8W



DWR62-DR3-P-8W.png

<b>Source</b>	LED Cree; Bridgelux
<b>Connection</b>	Wire
<b>Gr. Power</b>	8W ±5%
<b>Input Voltage</b>	AC85-277V
<b>Driver</b>	Kegu; Lifud
<b>Control (standard)</b>	Not dim.
<b>Dimming option</b>	Triac dim.; 0-10V dim.; DALI
<b>Beam Angle (°)</b>	10/15/24/36/55°
<b>CCT (Kelvins)</b>	2700°K; 3000°K; 4000°K; 5000°K; 6500°K; 5700°K
<b>Lumens</b>	750-850
<b>Luminaire efficiency</b>	106Lm/W
<b>CRI (standard)</b>	>80Ra
<b>for option</b>	>90Ra; >97Ra
<b>Fixture Color</b>	White; Black
<b>Cover</b>	Lens
<b>Dimensions</b>	dia 62*77(hole 55)mm
<b>Protection Rating</b>	IP65 / UGR<19 / salt spray test
<b>Electrical Class</b>	Class I
<b>Lifetime</b>	>50.000h
<b>Warranty</b>	3 Years

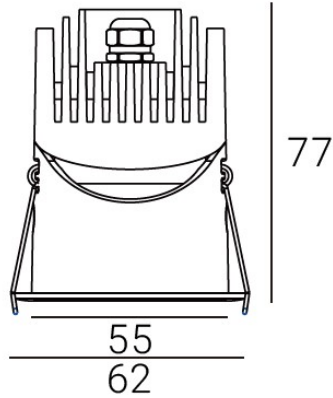
**Other**  
Honeycomb Louver; Flicker free driver; 5 years warranty extension

Standard Packing Details

<b>Unit Volum (CBM)</b>	0,00072
<b>Unit GW (kg)</b>	0
<b>Qty per carton</b>	50

DWR62-DR3-P-8W

Sizes drawing

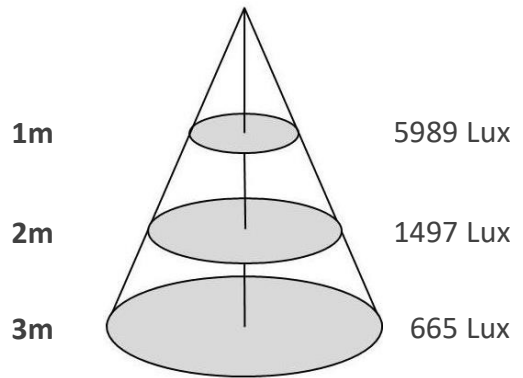


DWR62-DR3-P-8W.drw

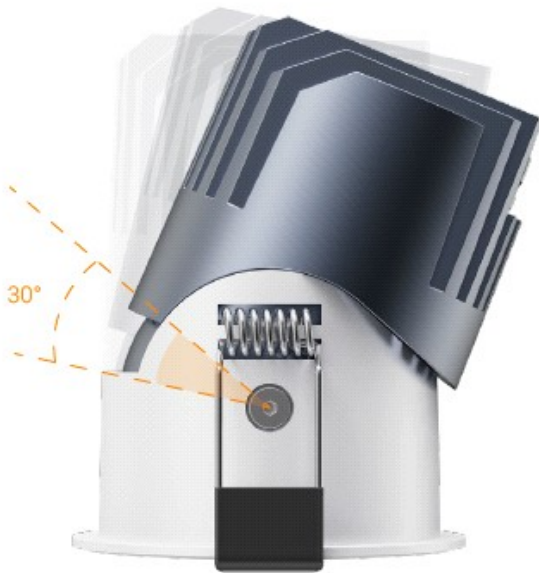
in mm

Illumination Diagram

850lm with 24° beam



DWR62-DR3-P-8W.lux



**0~30°**  
stepless regulation  
at any angle

Many reflector color options  
(subjected to MOQ)

