

DWR52-DR3-P-6W



DWR52-DR3-P-6W.png

Source	LED Cree; Bridgelux
Connection	Wire
Gr. Power	6W ±5%
Input Voltage	AC85-277V
Driver	Kegu; Lifud
Control (standard)	Not dim.
Dimming option	Triac dim.; 0-10V dim.; DALI
Beam Angle (°)	10/15/24/36/55°
CCT (Kelvins)	2700°K; 3000°K; 4000°K; 5000°K; 6500°K; 5700°K
Lumens	550-650
Luminaire efficiency	108Lm/W
CRI (standard)	>80Ra
for option	>90Ra; >97Ra
Fixture Color	White; Black
Cover	Lens
Dimensions	dia 52*72(hole 45)mm
Protection Rating	IP65 / UGR<19 / salt spray test
Electrical Class	Class I
Lifetime	>50.000h
Warranty	3 Years

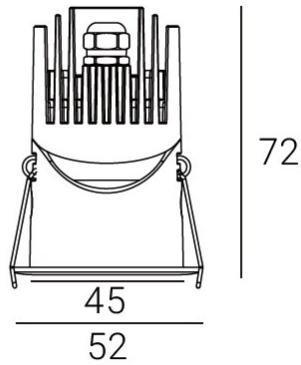
Other
Honeycomb Louver; Flicker free driver; 5 years warranty extension

Standard Packing Details

Unit Volum (CBM)	0,00046
Unit GW (kg)	0
Qty per carton	50

DWR52-DR3-P-6W

Sizes drawing

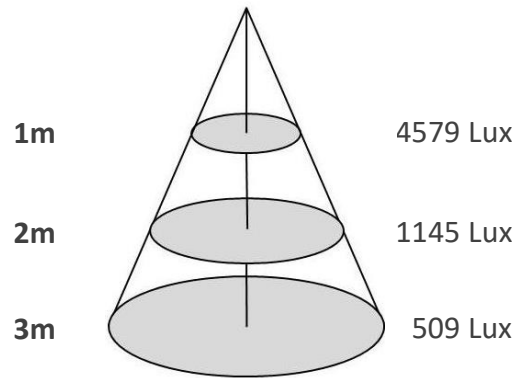


DWR52-DR3-P-6W.drw

in mm

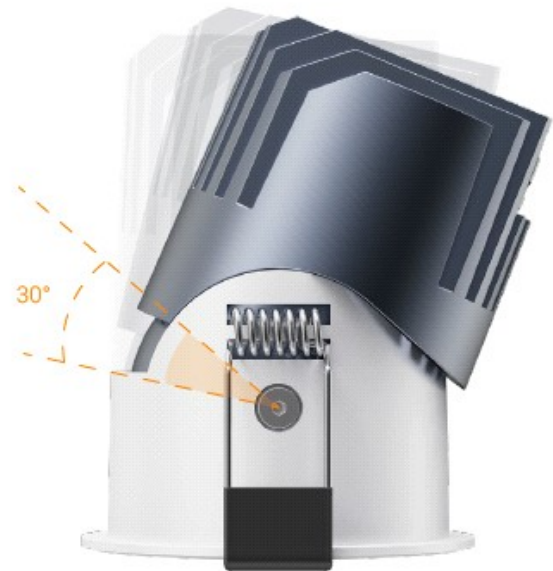
Illumination Diagram

650lm with 24° beam



DWR52-DR3-P-6W.lux

Many reflector color options
(subjected to MOQ)



0~30°
stepless regulation
at any angle