

## Outdoor Light

### DWR185-DR-IP67-P-16W

#### Picture



#### Description

Type	LED Outdoor Light
Connection	Wire

#### Electrical Parameters

Gr. Power	16W ±5%
InputVoltage	AC240V
Driver	Internal
Dimmable	Not dim.

#### Lighting Parameters

Beam Angle	10/15/25/30/45/60/90/110
Colors	WWY; WW; DL; CW
Lumens	1280
CRI	80Ra

#### Structure Parameters

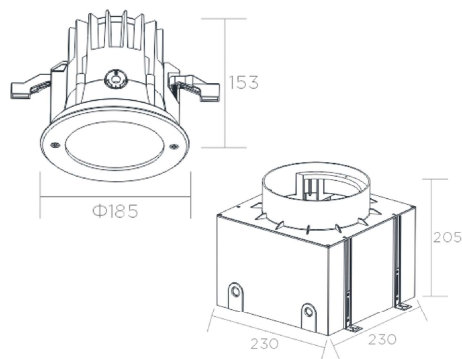
Fixture Color	SS316
Cover	Clear; Louver
Dimensions	dia185*153(230*230*205)mm

#### Protection Parameters

Rating	IP67/IK10
Electrical Class	Class
Lifetime	>50.000h
Warranty (Years)	3

#### Options

Dimmable	Triac <input type="checkbox"/> 0-10V <input type="checkbox"/> 1-10V <input type="checkbox"/> DALI <input type="checkbox"/>
CRI	>90Ra <input type="checkbox"/> >92Ra <input type="checkbox"/> >95Ra <input type="checkbox"/> >98Ra <input type="checkbox"/>
Other	Orientable (DRO) or COB for option. Available in DC24V: dimmable; RGB; RGBW



Sizes in mm

#### Packing

UnitVolum (CBM)	0,01721811
Unit GW (kg)	3,2
Qty per carton	4