

DWR105-DR4-P-25W



DWR105-DR4-P-25W.png

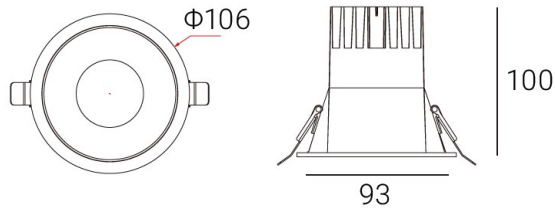
Source	LED Cree; Bridgelux
Connection	Wire
Gr. Power	25W ±5%
Input Voltage	AC85-277V
Driver	Kegu; Lifud
Control (standard)	Not dim.
Dimming option	Triac dim.; 0-10V dim.; DALI
Beam Angle (°)	8/12/15/24/36/50/60°
CCT (Kelvins)	2700°K; 3000°K; 4000°K; 5000°K; 6500°K; 5700°K
Lumens	2350-2650
Luminaire efficiency	106Lm/W
CRI (standard)	>80Ra
for option	>90Ra; >97Ra
Fixture Color	White; Black
Cover	Lens
Dimensions	dia105*105(hole 95)mm
Protection Rating	IP44 / UGR<13
Electrical Class	Class I
Lifetime	>50.000h
Warranty	3 Years
Other	Honeycomb Louver; Flicker free driver; 5 years warranty extension

Standard Packing Details

Unit Volum (CBM)	0,00181
Unit GW (kg)	0
Qty per carton	32

DWR105-DR4-P-25W

Sizes drawing

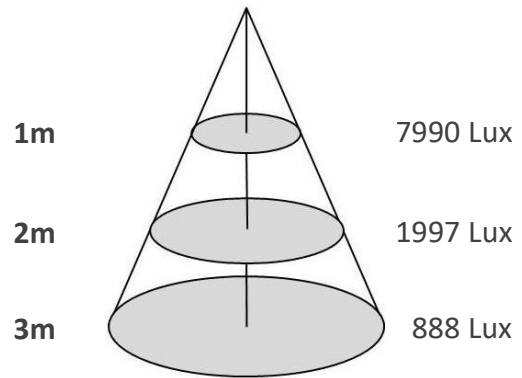


DWR105-DR4-P-25W.drw

in mm

Illumination Diagram

2650Lm with 36° beam



DWR105-DR4-P-25W.lux

**PMMA high luminous rate
Ribbed structure Lens**

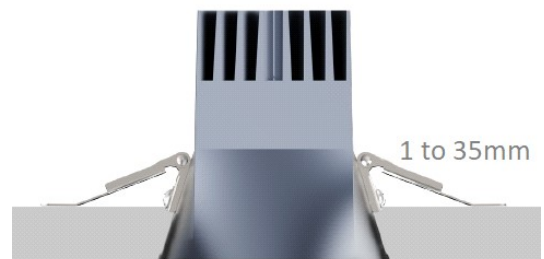
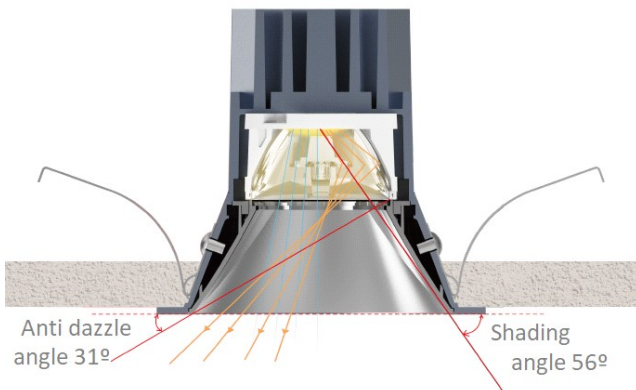
The ribbed structure design is adopted, with its own antiglar so that the light is interwoven at the center of the reflector, effectively reducing stray light, spot transition is even, more soft and comfortable.



Spring type:



Bending Spring



Spring Clip